

# Hitachi ZX290LCN-5

## Hydraulic Excavator



### Operating weight and Ground pressure

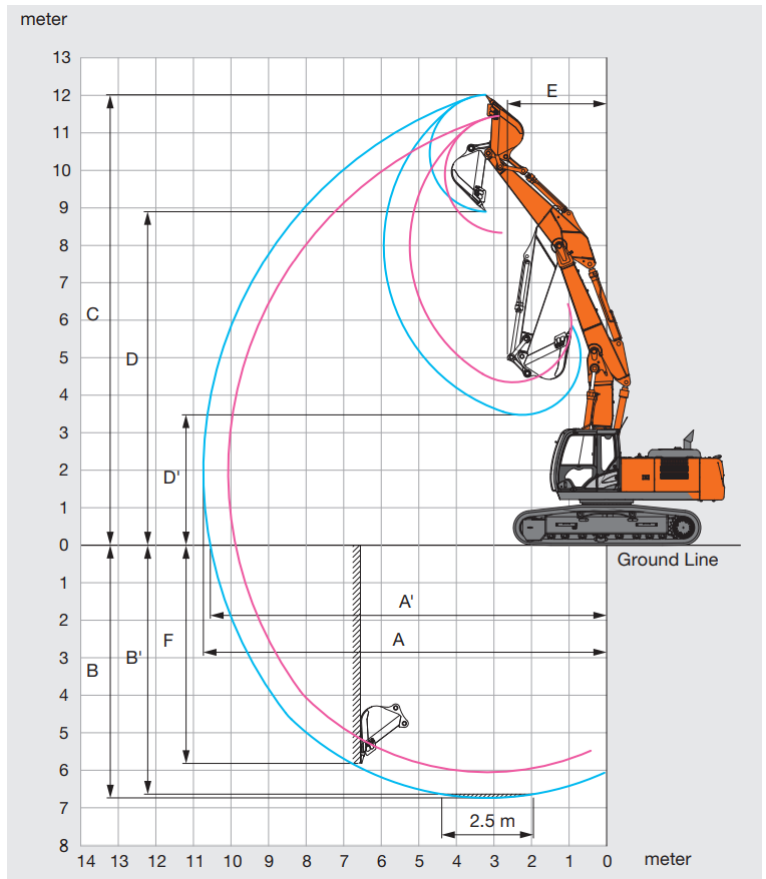
ZAXIS 290LCM			
Boom type		2-Piece	
Shoe width	Arm length	kg	kPa (kgf/cm <sup>3</sup> )
600 mm	3,11 m	29 700	56 (0.57)

### Working ranges - 2-piece boom

Arm length	3.11 m
A Max. digging reach	10 740 mm
A' Max. digging reach (on ground)	10 530 mm
B Max. digging depth	6 740 mm
B' Max. digging depth for 2.5 m level	6 640 mm
C Max. cutting height	12 020 mm
D Max. dumping height	8 900 mm
D' Min. dumping height	3 470 mm
E Min. swing radius	2 640 mm
F Max. vertical wall digging depth	5 820 mm

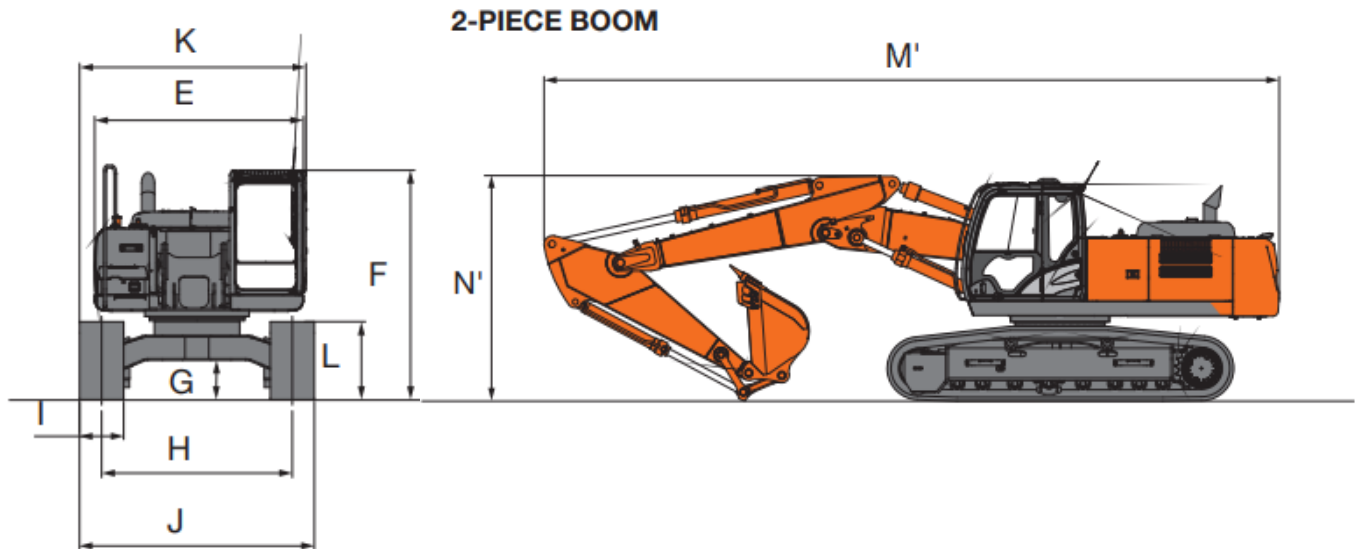
= blue line in the diagram opposite

Rental fee : 500 €/day



06/02/2023

## Dimensions



ZAXIS 290LCN			
A Distance between tumblers	4 050 mm	<b>2-piece boom</b>	
B Undercarriage length	4 940 mm	M' Overall length	
*C Counterweight clearance	1 170 mm	With 3.11 m arm	10 510 mm
D Rear-end swing radius	3 140 mm	N' Overall height of boom	
D' Rear-end length	3 140 mm	With 3.11 m arm	3 140 mm
E Overall width of upperstructure	2 870 mm		
F Overall height of cab	3 110 mm		
*G Min. ground clearance	510 mm		
H Track gauge	2 390 mm		
I Track shoe width	G 600 mm		
J Undercarriage width	2 990 mm		
K Overall width	2 990 mm		
*L Track height with triple grouser shoes	1 070 mm		

### ZAXIS 290LCN 2-PIECE BOOM

Rating over-front Rating over-side or 360 degrees Unit : kg

Conditions	Load point height m	Load radius m												At max. reach		
		1.5		3.0		4.5		6.0		7.5		9.0		meter		
2-Piece Boom	9.0					*6 970	*6 970							*5 800	*5 800	5.79
6.12 m	7.5					*6 660	*6 660	*5 730	*5 730					*4 680	*4 680	7.27
Arm 3.11 m	6.0					*7 210	*7 210	*5 830	*5 830	*4 980	*4 980			*4 160	*4 160	8.22
Counterweight	4.5			*13 700	*13 700	*8 450	*8 450	*6 310	*6 310	*5 120	*5 120			*3 910	*3 910	8.81
6 200 kg	3.0	*12 430	*12 430	*19 650	*19 650	*11 380	*10 830	*7 860	7 780	*5 470	5 210	*4 220	3 780	*3 840	3 690	9.12
Shoe 600 mm	1.5			*21 750	20 510	*16 290	11 270	*9 530	7 350	*5 970	5 100	*4 490	3 700	*3 900	3 590	9.16
	0 (Ground)	*12 260	*12 260	*24 230	19 770	*16 290	10 500	*11 090	6 950	*6 530	4 890			*4 120	3 660	8.96
	-1.5	*16 950	*16 950	*25 620	19 120	*16 420	10 050	*10 960	6 650	*7 050	4 710			*4 560	3 940	8.48
	-3.0	*21 690	*21 690	*25 070	19 010	*16 400	9 900	*11 320	6 420	*6 450	4 690			*5 390	4 560	7.68
	-4.5	*24 450	*24 450	*20 100	19 270	*12 260	9 840							*6 630	6 630	5.92



Chaussée de Bruxelles 206 – 7090 Braine-le-Comte – Belgium  
 Tel : +32 (0)67 55 21 13 – [info@swalmec.be](mailto:info@swalmec.be) – [www.Swalmec.be](http://www.Swalmec.be)