

Hitachi ZX135US-5

Hydraulic Excavator



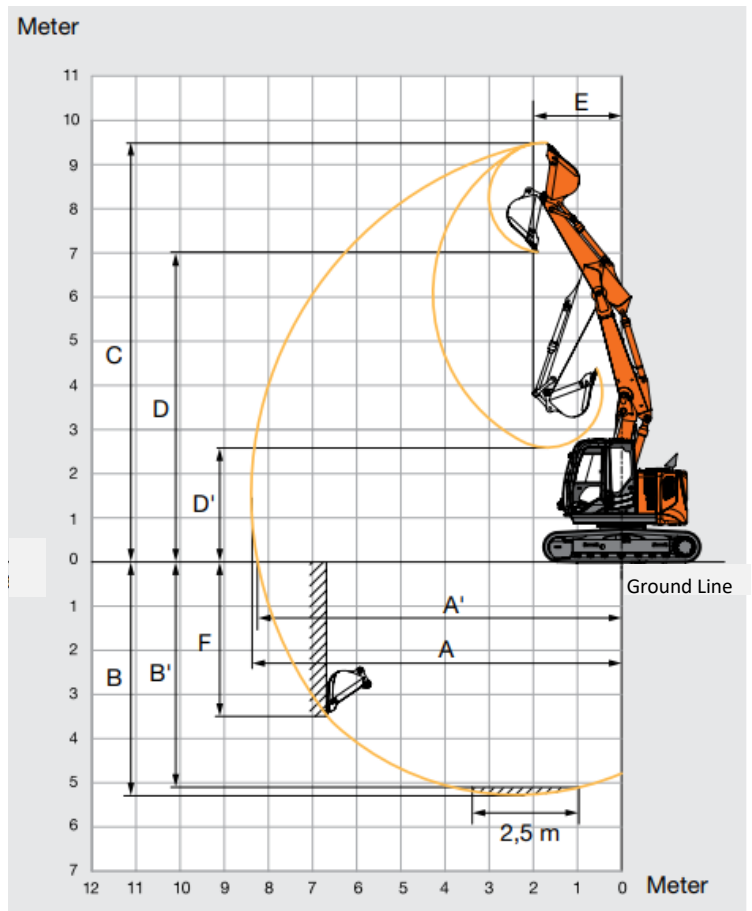
Operating weight and Ground pressure

ZAXIS 135US with blade			
Shoe width	Arm length	kg	kPa (kgf/cm ³)
500 mm	2,52 m	15 000	47 (0.48)

Working ranges

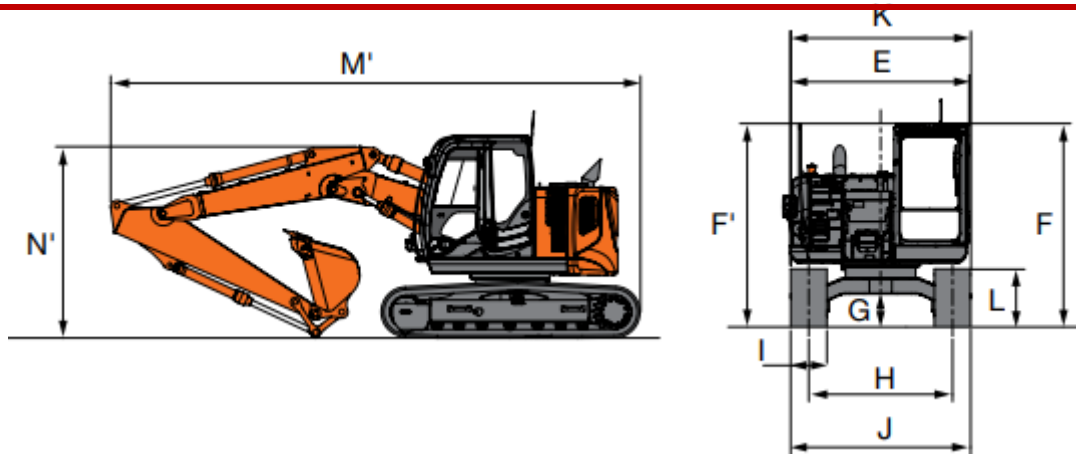
Arm length	2.52 m
A Max. digging reach	8 380 mm
A' Max. digging reach (on ground)	8 240 mm
B Max. digging depth	5 250 mm
B' Max. digging depth for 2.5 m level	5 120 mm
C Max. cutting height	9 480 mm
D Max. dumping height	7 020 mm
D' Min. dumping height	2 600 mm
E Min. swing radius	1 920 mm
F Max. vertical wall digging depth	3 530 mm

Rental fee : 340 €/day



06/02/2023

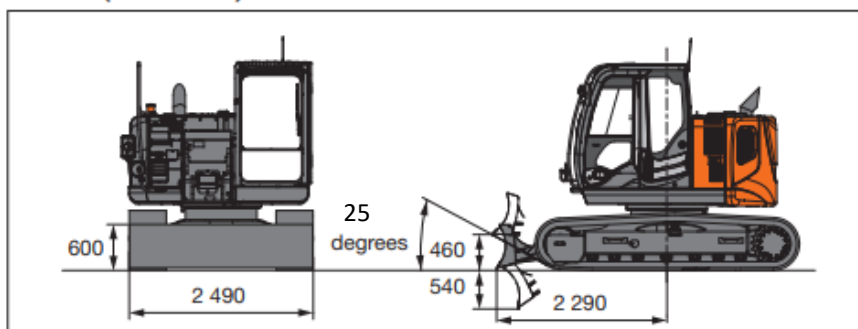
Dimensions



ZAXIS 135US			
A Distance between tumbler	2 880 mm	I Track shoe width	G 500 mm
B Undercarriage length	3 580 mm	J Undercarriage width	2 490 mm
*C Counterweight clearance	840 mm	K Overall width	2 490 mm
D Rear-end swing radius	1 490 mm	*L Track height with triple grouser shoes	790 mm
D' Rear-end length	1 490 mm		
E Overall width of upperstructure	2 480 mm	M' Overall length	
F Overall height of cab	2 790 mm	With 2.52 m arm	7 310 mm
*G Min. ground clearance	410 mm	N' Overall height of boom	
H Track gauge	1 990 mm	With 2.52 m arm	2 640 mm

BLADE (OPTIONAL)

Unit: mm



ZAXIS 135US, PLANIERSCHILD (ANGEHOBEN), VERSTELLAUSLEGER



Werte über die Front



Werte über die Seite oder 360°

Einheit: kg

Bedingungen	Last- anschlag- punkt- höhe m	Ausladung m								Bei max. Reichweite		
		1,5		3,0		4,5		6,0		Meter		
Verstellausleger	7,5									*4.420	*4.420	2,86
Stiel 2,52 m	6,0			*4.790	*4.790	*4.290	3.800			*3.120	*3.120	4,99
Gegengewicht	4,5			*5.160	*5.160	*4.390	3.870	*3.150	2.310	*2.800	2.270	6,05
3.640 kg	3,0	*11.010	*11.010	*8.590	6.860	*4.960	*3.760	3.190	2.320	2.670	1.930	6,60
Bodenplatte	1,5	*7.190	*7.190	*9.390	6.570	4.910	3.670	3.110	2.240	2.520	1.810	6,77
500 mm	0 (Boden)	*8.840	*8.840	*9.460	6.280	4.870	3.430	3.010	2.140	2.590	1.850	6,59
	-1,5	*13.350	*13.350	9.420	5.990	4.630	3.210	2.960	2.100	2.940	2.090	6,03
	-3,0	*16.940	*16.940	*8.020	5.890	*3.740	3.170			*3.360	3.060	4,63



Chaussée de Bruxelles 206 – 7090 Braine-le-Comte – Belgium
 Tel : +32 (0)67 55 21 13 – info@swalmec.be – www.Swalmec.be