

# Eurodrill HD 1002

Hydraulic Drifter



Options :

- Flushing head 1''
- Shock Absorber
- Percussion unit type 10

Weight : 95 kg

Traction : 35/60 kN

Technical specifications :

## Rotary mechanism HD 1002

Standard motors

Motor Type		88	
Gear		1	2
<b>Torque</b>	Nm	2120	1060
<b>Rotation</b>	min-1	75	150

p = 200 bar & Q = 50 l/min

## Percussion unit

Type	RD 1002	
Variant	High Frequency	
<b>Operating pressure</b>	bar	140 - 180
<b>Oil capacity</b>	l/min	45 - 55
<b>Single blow energy</b>	Nm	...180
<b>No. of blows</b>	min-1	...4000

## Shank adapters

- > R44 LH / RH & IB30, IB40
- > R32, R38, T38 & T45

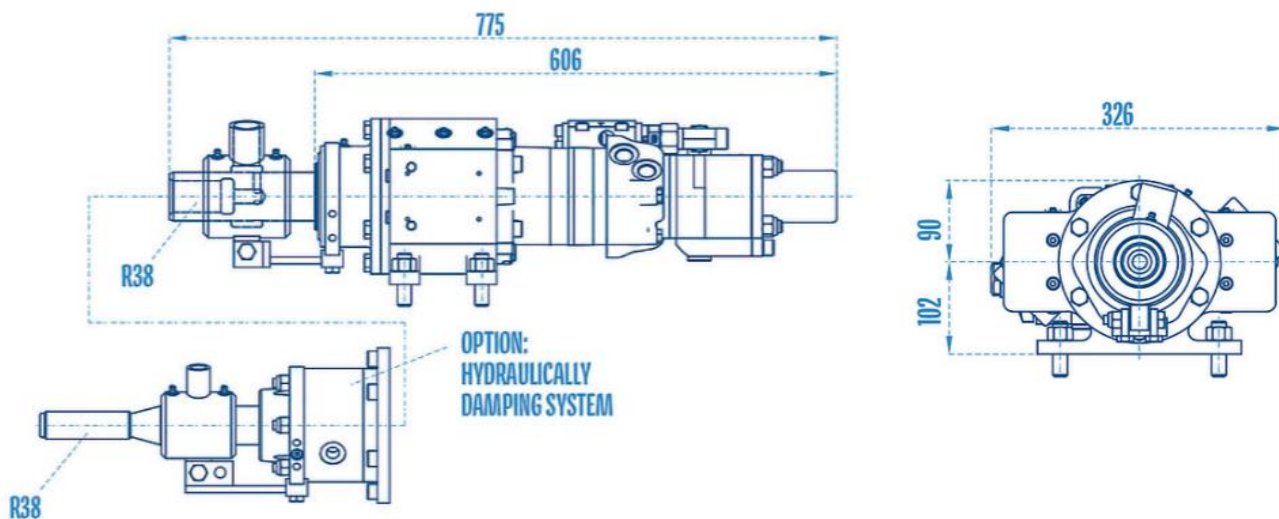
Rental fee :

120 €/day

Flushing shaft : 30 €/day

Flushing ring : 15 €/day

06/02/2023



Chaussée de Bruxelles 206 – 7090 Braine-le-Comte – Belgium  
Tel : +32 (0)67 55 21 13 – [info@swalmec.be](mailto:info@swalmec.be) – [www. Swalmec.be](http://www.Swalmec.be)