

Geoprobe 6712DT

Soil Probing Machine



Specialty : small- to medium-sized direct push environmental and geotechnical projects.

Technical specifications :

Drilling rig

Weight : 2880 kg

Diesel engine

Engine power : 33 kW

Included options :

- GH63 hammer with rotation
- Rodrack
- Auger head 2 speed (3,4 kNm, 150 RPM)
- Safety cage

Rental fee :

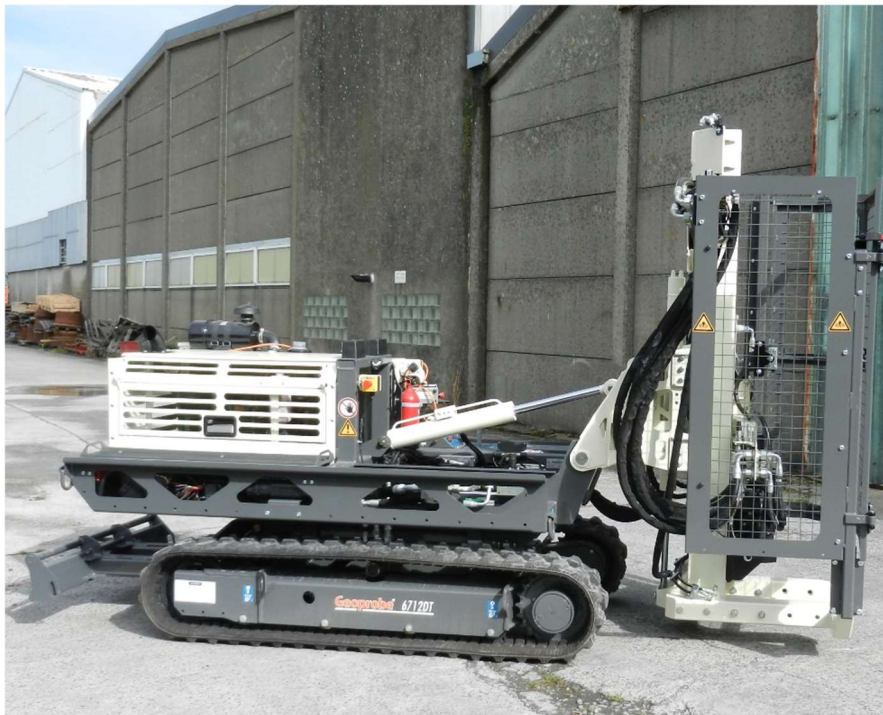
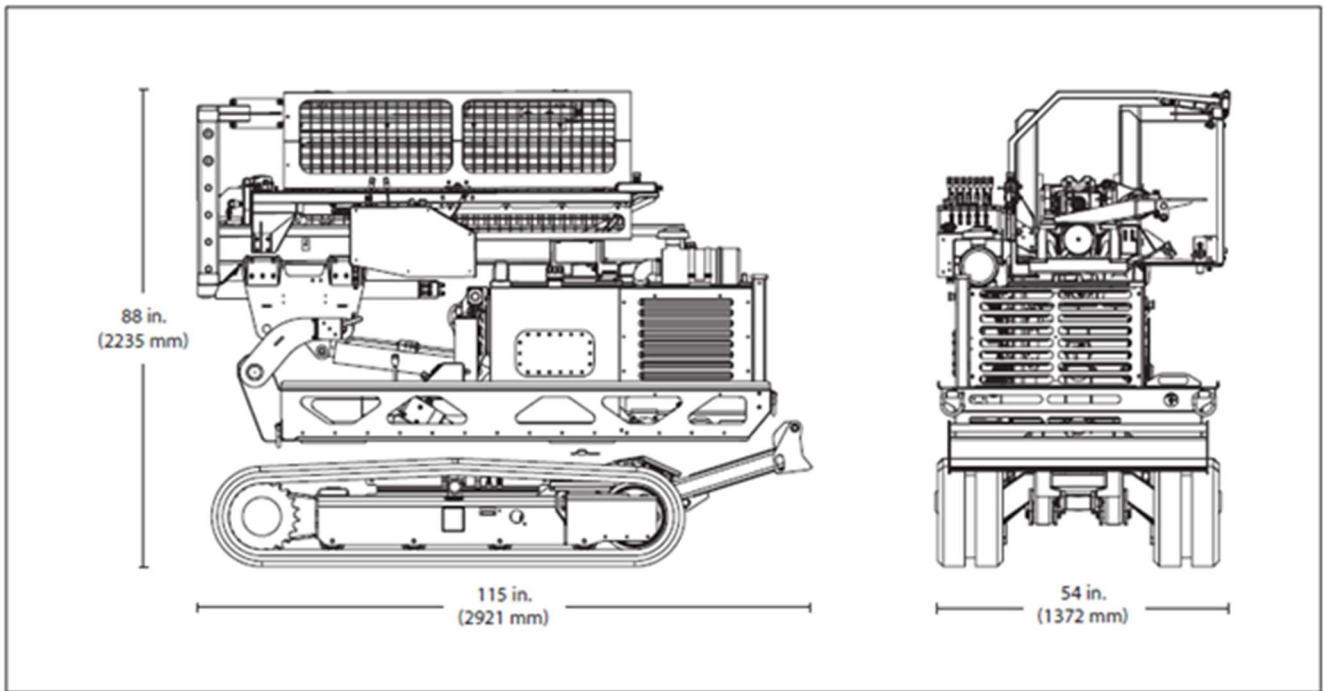
Geoprobe 6712DT : 700 €/day

Possible options

- Reduced weight version without auger head and safety cage (= 2540 kg)*
- 15 m of DT325 tooling : 150 €

* + 250 € = installation costs





Chaussée de Bruxelles 206 – 7090 Braine-le-Comte – Belgium
Tel : +32 (0)67 55 21 13 – info@swalmec.be – [www. Swalmec.be](http://www.Swalmec.be)