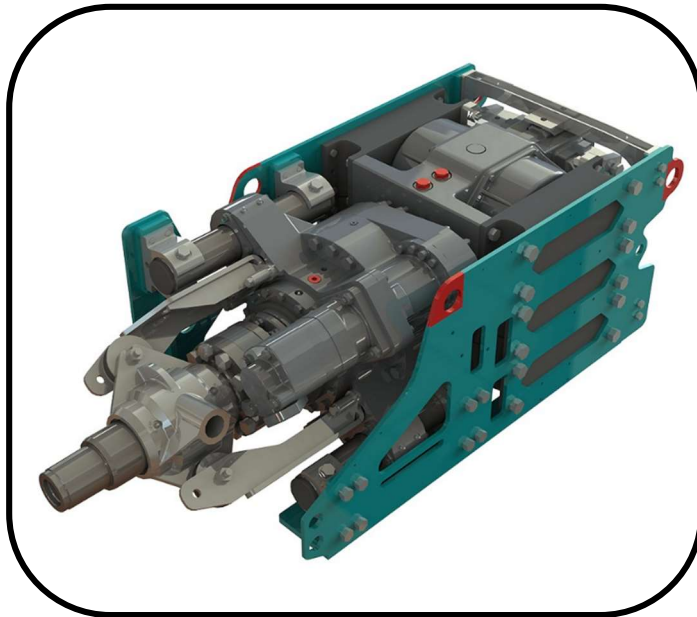


# Eurodrill RHV 1500

Vibration – Rotary Head



## Design features :

- Modular and compact design requires only small room
- Strong bearing system of the main shaft for most diverse drilling applications and drilling methods
- Permanent lubrication and cooling via an integrated hydraulically system
- Compatible to drill rigs of all manufacturers for different applications and requirements
- Weight : 750 kg

## Technical specifications :

### Rotary mechanism RHV 1500

#### Standard motors

	Motor Type 97		
	Gear 1	Gear 2	
<b>Torque</b>	kNm	15	7.5
<b>Rotation</b>	min-1	31	62

p = 250 bar & Q = 120 l/min

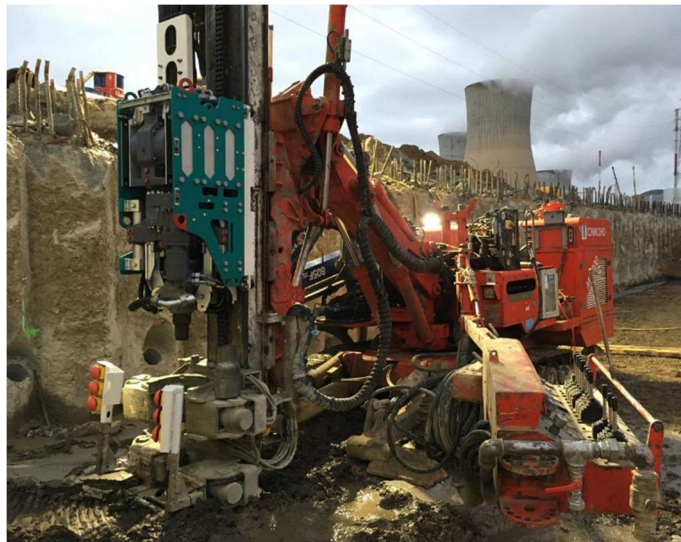
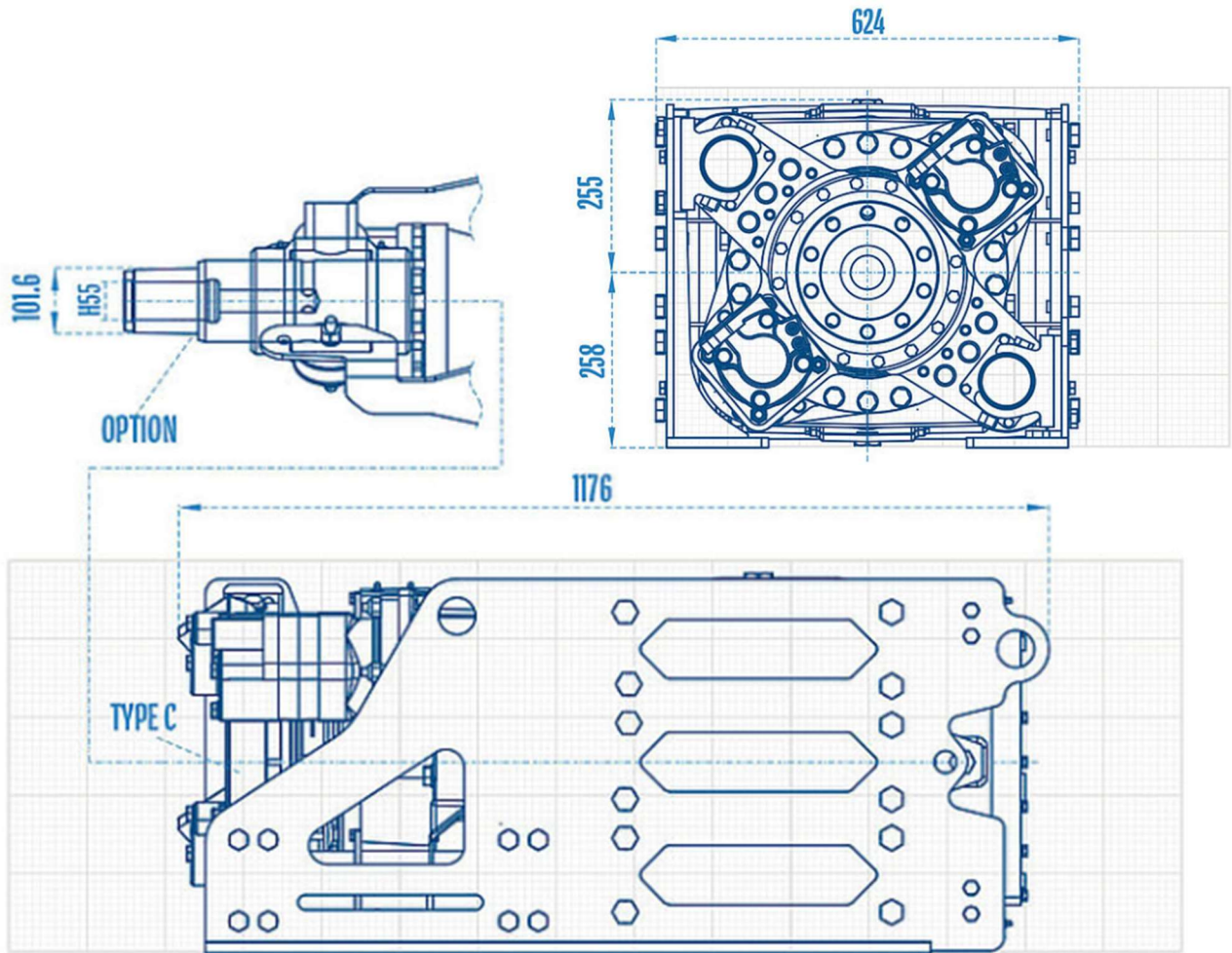
### Vibrator RHV 1500

<b>Frequency</b>	Hz	70
<b>Centrifugal force</b>	kN	140

p = 270 bar & Q = 90 l/min

## Rental fee :

270 €/day



Chaussée de Bruxelles 206 – 7090 Braine-le-Comte – Belgium  
Tel : +32 (0)67 55 21 13 – [info@swalmec.be](mailto:info@swalmec.be) – [www. Swalmec.be](http://www.Swalmec.be)