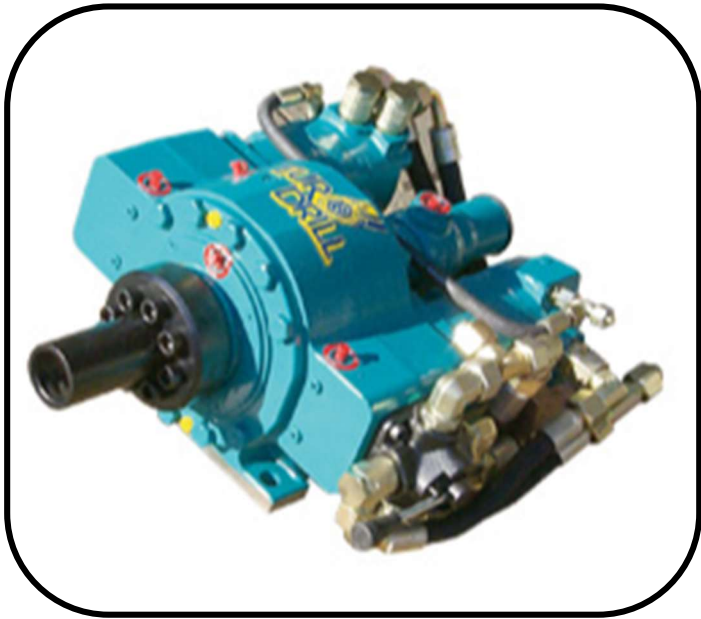


# Eurodrill RH 400



## Design features :

- Rotation only
- Flushing head 2''
- Output 2 3/8'' A.R. female
- Weight : 120 kg

## Technical specifications :

### **Drehantrieb RH 400** rotary mechanism

Technische Daten bei / technical data at  $p = 200 \text{ bar}$  &  $Q = 100 \text{ l/min}$

Motor Typ / motor type	100		103		105			
Gang / gear	1	2	1	2	1	2		
Drehmoment / torque	<b>Nm</b>		1600	800	2900	1450	4400	2200
Drehzahl / rotation	<b>min<sup>-1</sup></b>		200	400	110	220	72	144

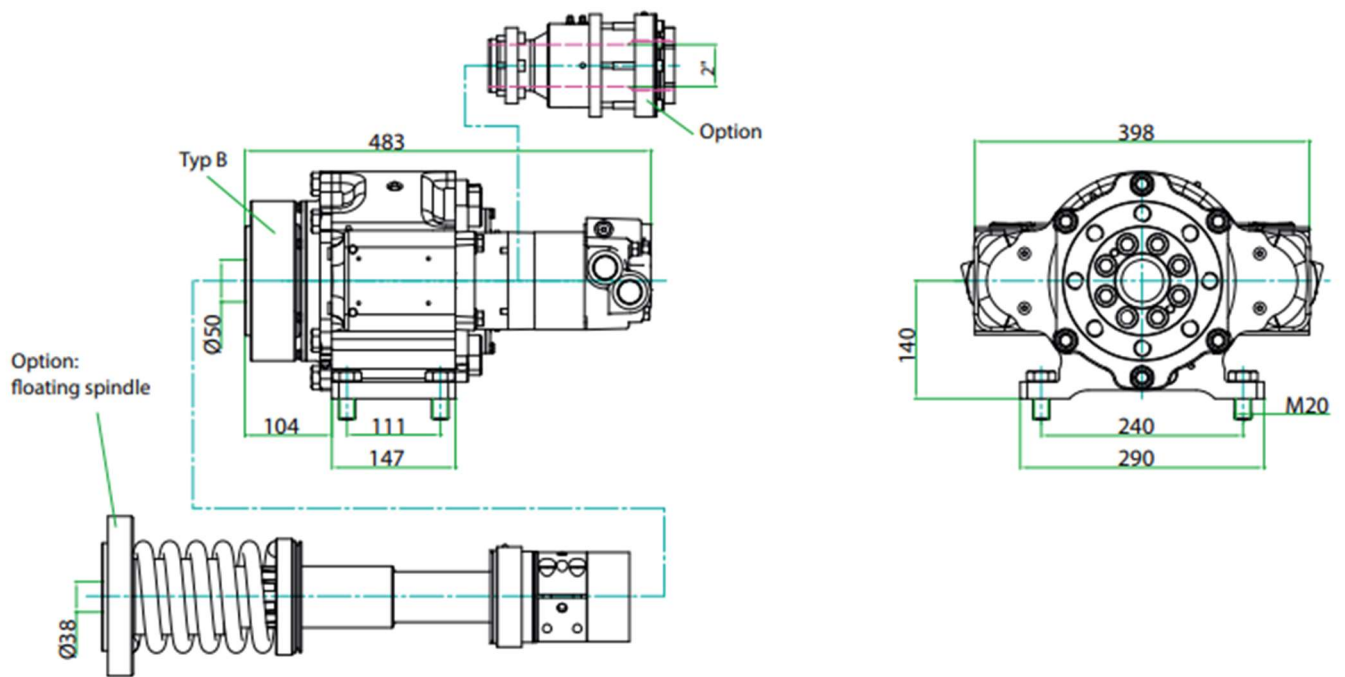
## Rental fee :

95 €/day

## Possible options :

- Change of motor type (100, 103, 105)\*
- Jet grouting configuration\*
- Shock absorber 2 3/8'' A.R. male X female : 30 €/day

\* + 250 € = installation costs



Chaussée de Bruxelles 206 – 7090 Braine-le-Comte – Belgium  
Tel : +32 (0)67 55 21 13 – [info@swalmec.be](mailto:info@swalmec.be) – [www.Swalmec.be](http://www.Swalmec.be)