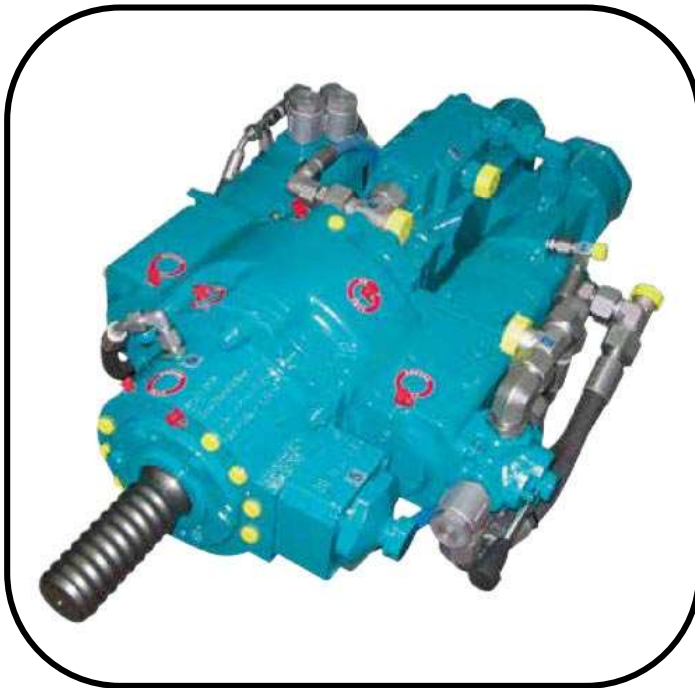


Eurodrill HD 2004



Design features :

- Drifter only
- Shank adapter :
 - H55 LH/RH
 - H64 LH/RH
- Weight : 210 kg

Technical specifications :

Drehantrieb HD 2004 rotary mechanism

Technische Daten bei / technical data at p = 200 bar & Q = 100 l/min

Motor Typ / motor type	100		103		105			
Gang / gear	1	2	1	2	1	2		
Drehmoment / torque	Nm		1600	800	2900	1450	4400	2200
Drehzahl / rotation	min ⁻¹		200	400	110	220	72	144

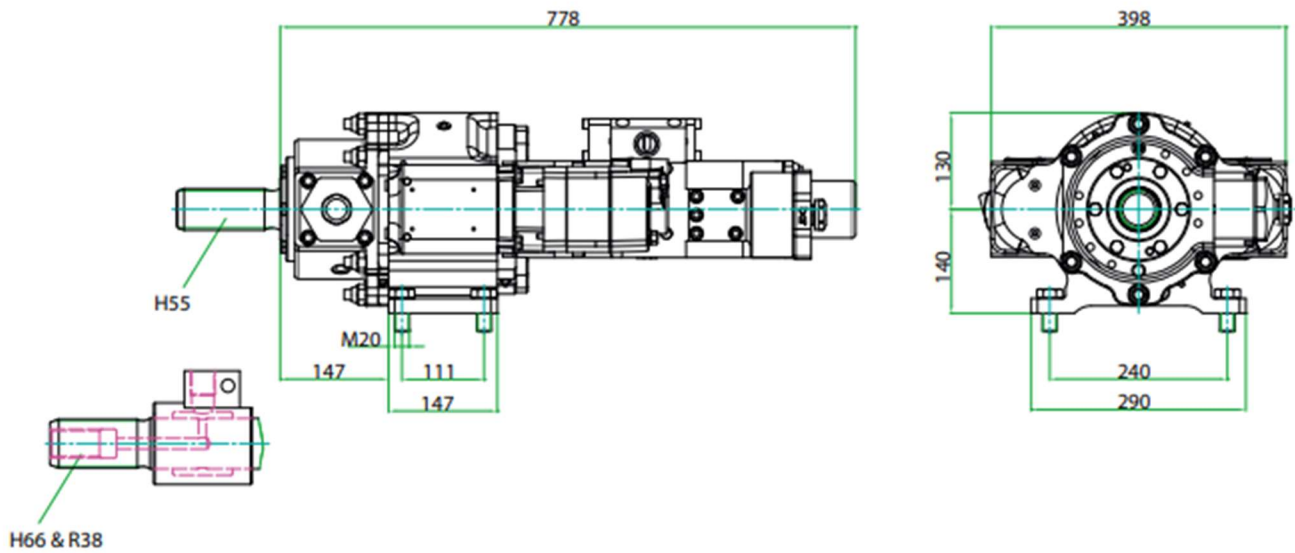
Rental fee :

95 €/day

Possible options :

- Change of motor type (100, 103, 105)*
- Flushing shafts (PDS, ISHB, DSI,...) : 30 €/day
- Flushing ring : 15 €/day

* + 250 € = installation costs



Chaussée de Bruxelles 206 – 7090 Braine-le-Comte – Belgium
Tel : +32 (0)67 55 21 13 – info@swalmec.be – [www. Swalmec.be](http://www.Swalmec.be)