

Comacchio MC-E 60

Adaptor CW30-40



Features

Excavator Class	25 ton
Mast Feed stroke	4.000 mm
Feed force	5.000 daN
Retract force	5.000 daN
Rotary Torque	32 kNm
Clamp range	45 – 300 mm
Weight	4.500 kg

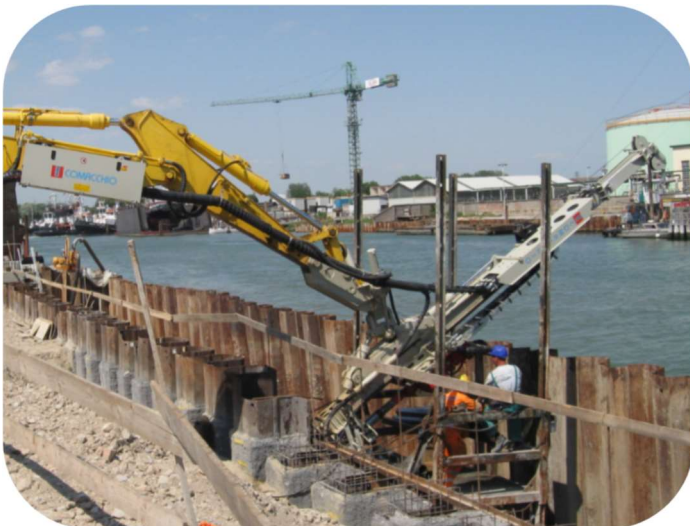
Included :

- Adapter CW30-40
- Double clamps
- Remote controlled

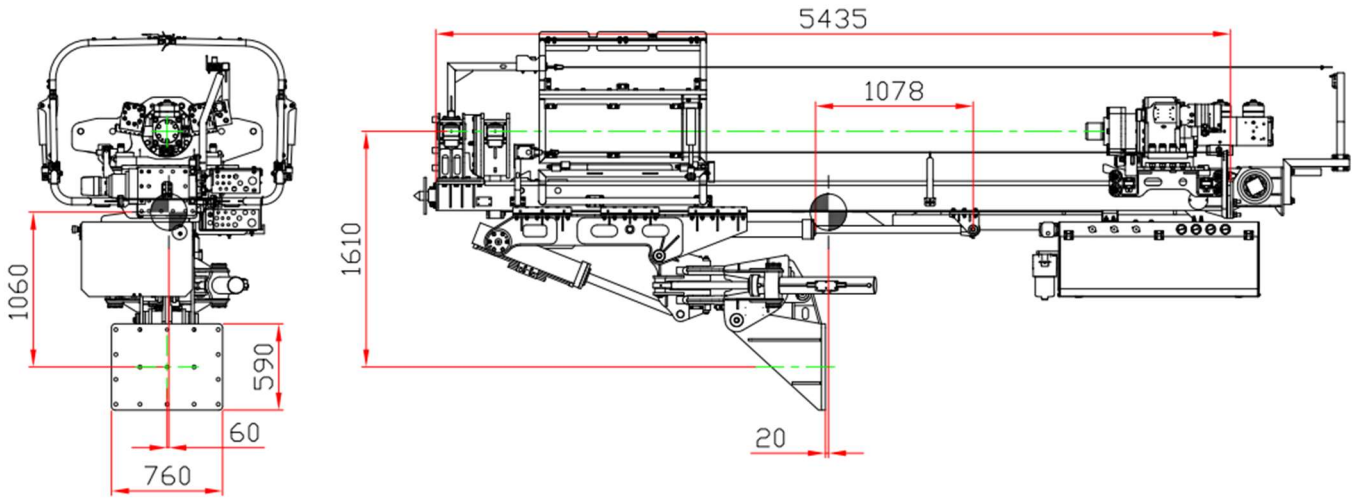


Rental fee :

- MC-E 60 : 375 €/day
- Drifter Eurodrill RH 32 X : 175 €/day
- Vibration-rotary Eurodrill RHV 1500 : 270 €/day



MC-E 60 serial number 3820 +
Protection Cage
Machine Weight = 4500kg



Chaussée de Bruxelles 206 – 7090 Braine-le-Comte – Belgium
Tel : +32 (0)67 55 21 13 – info@swalmec.be – www.Swalmec.be