

Comacchio MC 4 D



Specialty : anchors, micropile, jet grouting

Tecnical specifications :

Drilling rig

Weight : 4500 kg

Pullup/down : 3500 kg

Power pack

Diesel engine

Engine power : 100 kW

Weight : 2700 kg

Included options :

- Double clamps
- In line lubricator
- Remote controlled
- High pressure cleaner
- Security cage

Rental fee :

Comacchio MC 4 D : 625 €/day

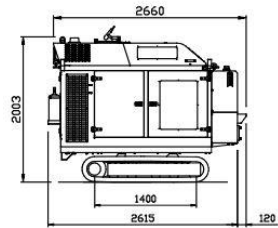
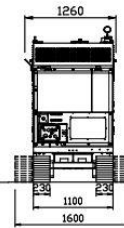
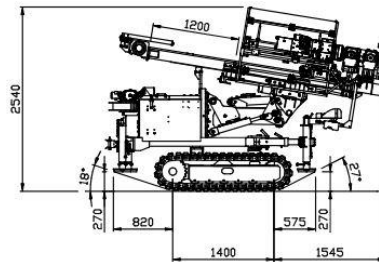
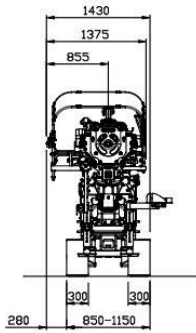
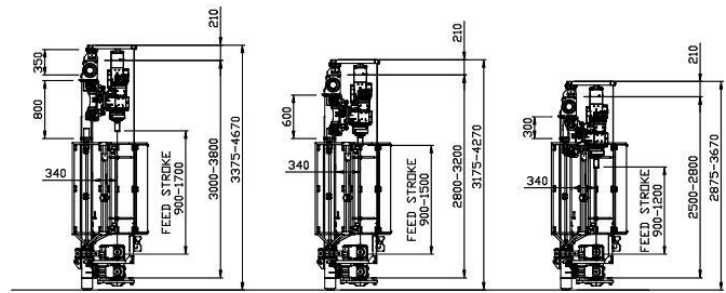
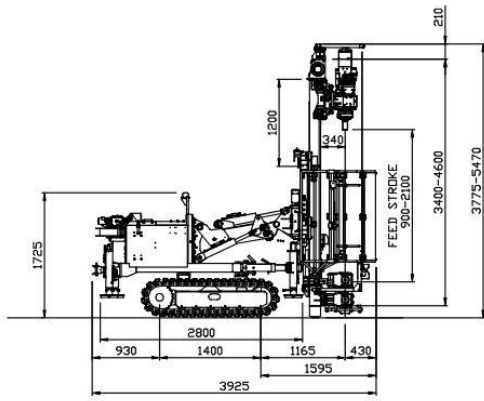
Eurodrill RH10X percussion : 115 €/day

Possible options

- Eurodrill RH10X Rotation only* : 115 €/day
- Eurodrill RH400 Rotation* : 95 €/day
- Eurodrill RH400 Jet Grouting* : 95 €/day
- Lutz : 30 €/day
- Installation Lutz*
- Flushing shaft : 30 €/day
- Flushing ring : 15 €/day
- Length mast modification*
(0-300-600-800-1200 mm)
- Winch 2t.*
- Mud pump (200 t./min, 40 bar)* : 50 €/day

* + 250 € = frais d'installation





Chaussée de Bruxelles 206 – 7090 Braine-le-Comte – Belgium
Tel : +32 (0)67 55 21 13 – info@swalmec.be – www.Swalmec.be